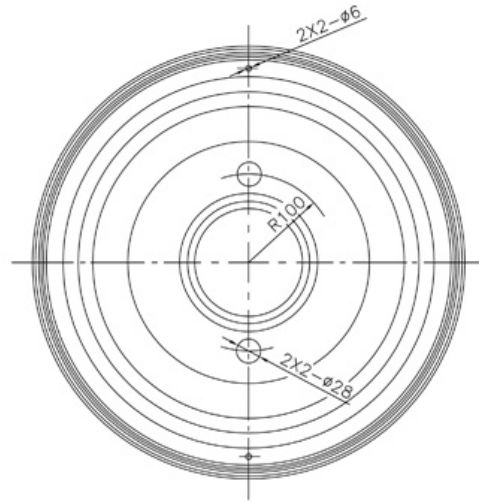
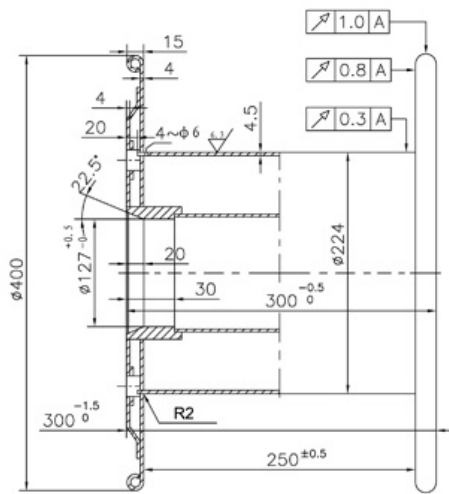
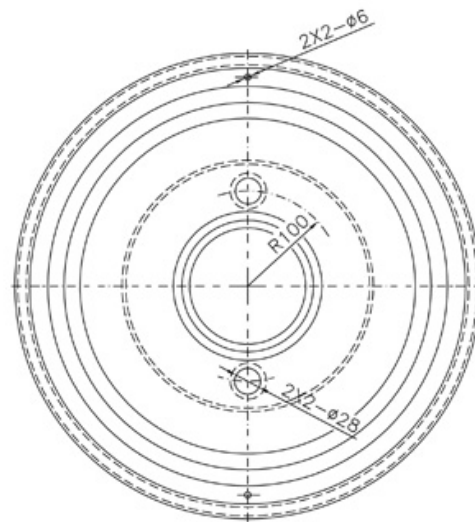
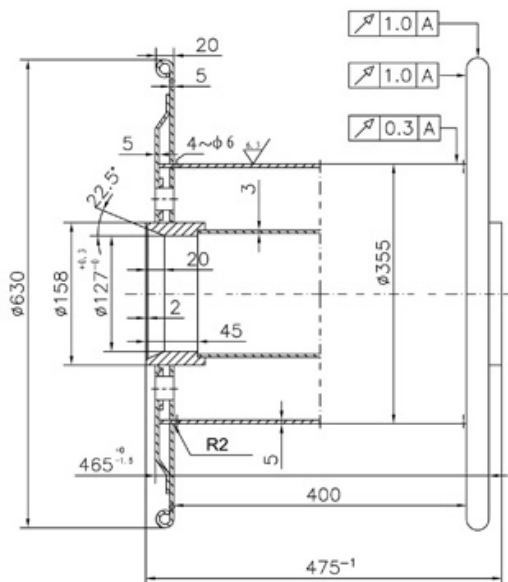


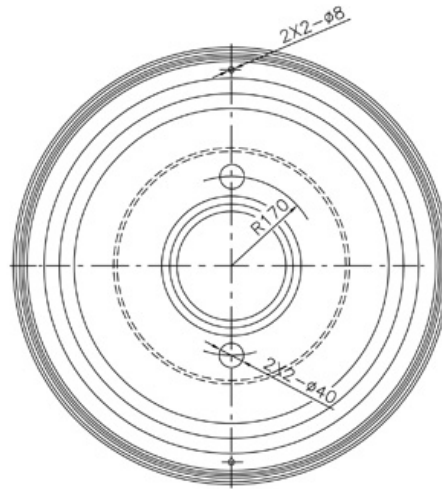
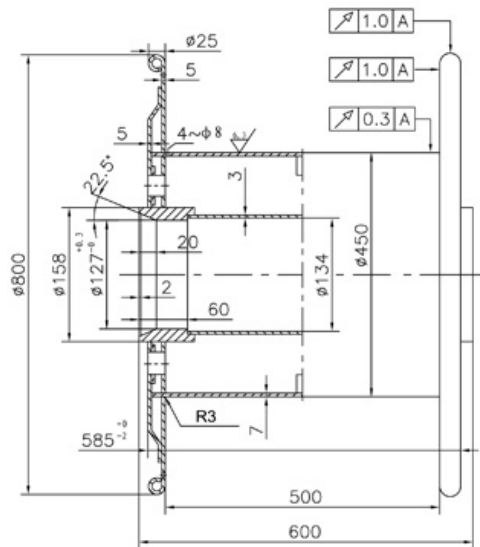
PACKING DRAWING COPPER CONDUCTORS


Technical specifications:

1. Surface machined to roughness 6.3 as specified.
2. Dynamically balanced to G16 specification.
3. Painted or surface coated as per customer specification.
4. Steel grade Q235.
5. All measurements are shown as mm (metric).


Technical specifications:

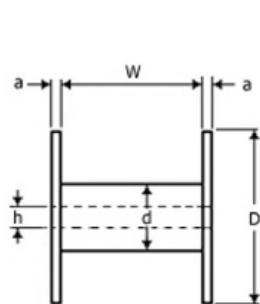
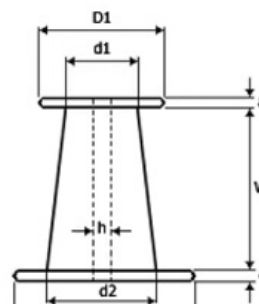
1. Surface machined to roughness 6.3 as specified.
2. Dynamically balanced to G16 specification.
3. Painted or surface coated as per customer specification.
4. Steel grade Q235.
5. All measurements are shown as mm (metric).


Technical specifications:

1. Surface machined to roughness 6.3 as specified.
2. Dynamically balanced to G16 specification .
3. Painted or surface coated as per customer specification .
4. Steel grade Q235.
5. All measurements are shown as mm (metric).

Dimension of Reel (Unit : mm.)

Spool No.	Flange Diameter D		Barrel Diameter d		Inside Width W	Flange Thickness a	Bore Diameter h
P - 3	130		60		90	10	20
P - 20	270		140		115	15	35
PT - 4	D ₁	D ₂	d ₁	d ₂	170	15	26
	124	140	74	86			
PT - 10	160	180	96	110	200	15	30
PT - 15	180	200	96	110	200	15	30
PT - 25	215	230	110	130	250	15	30
PT - 60	270	300	150	180	350	25	45
PT - 90	300	315	180	200	410	40	100
PT - 200	375	400	224	250	530	50	100
PT - 270	435	460	255	280	530	50	100


General reel

Tapered long reel